

CIR-HSR4FKGC

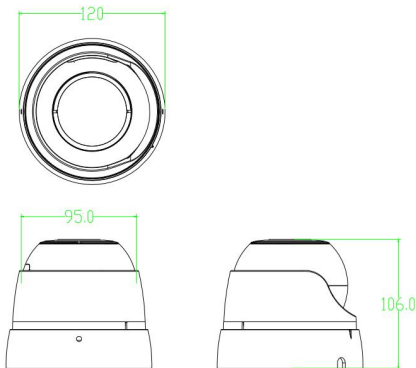
2 MP AHD Camera



FEATURES

- 1/3" 2M Progressive Scan CMOS
- support four video signal output(1080P AHD /1080P TVI / 1080P CVI / CVBS), default video output is AHD
- 4Pcs Super High Power IR LED, Available IR Distance:25 ~ 30M
- 2.8-12mm Varifocal IR Lens
- Feature:DWDR, 3DNR/2DNR, UTC, OSD, MIRROR, BLC, AWB

DIMENSION



SPECIFICATIONS

CIR-HSR4FKGC

IP Rating	IP66
Filter	Removable IR Cut Filter
Image Sensor	1/3" 2M Progressive Scan CMOS
Pixels	1920(H)×1080(V)
Horizontal Resolution	2MP
Minimum Lux	0Lux (when 4pcs high power LED on)
Vertical Frequency	NTSC:60Hz PAL:50Hz
Scanning System	Progressive
S/N Ratio	≥52dB
Lens	2.8-12mm Varifocal IR Lens
White Balance	ATW/MWB
FLIP	OFF/ON
MIRROR	OFF/ON
OSD	YES
3DNR /2DNR	AUTO/MANUAL
DWDR	OFF/ON
Day&Night	AUTO/Color/BW/Ext
Available IR Distance	25 ~ 30M
Video Output	HD-AHD (TVI / CVI / CVBS)
Power Supply	DC12V&AC24V
Current consumption	DC12V:510mA(Max),AC24V:210mA(Max)
Dimension	Ø120×106mm
Weight	860g
Storage Temperature	-30 ~ +60°C
Operating Temperature	-30 ~ +40°C