

# CIR-HSO4FLYC

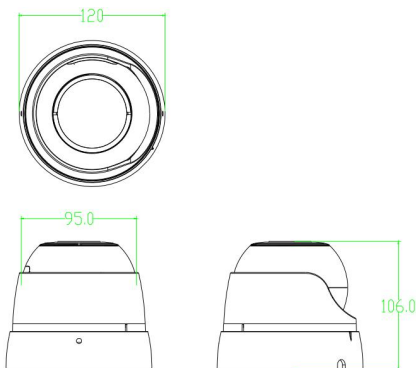
## 5MP AHD Camera



### FEATURES

- 1/2.8" 5M Progressive Scan Sony CMOS
- support four video signal output(5MP AHD / 5MP TVI / 4MP CVI / 960H CVBS), default video output is AHD
- 4PCs Super High Power IR LEDs, IR Range: 25~30M(outdoor)
- 2.7-13.5mm Varifocal Lens
- Support Dip switch for signal changes
- Feature: Defog, BLC, HLC, WDR, DNR, SENS-UP, MOTION, MIRROR, PRIVACY, UTC

### DIMENSION



### SPECIFICATIONS

CIR-HSO4FLYC	
IP Rating	IP66
Filter	Removable IR Cut Filter
Image Sensor	1/2.8" 5M Progressive Scan Sony CMOS
Pixels	2688(H)×1944(V)
Horizontal Resolution	5MP
Minimum Lux	0Lux ( 4pcs high power LED on)
Vertical Frequency	NTSC:60Hz PAL:50Hz
Scanning System	Progressive
S/N Ratio	≥56dB
Lens	2.7-13.5mm Varifocal IR Lens
Electronic Shutter	NTSC:1/30-1/30,000S PAL:1/25-1/30,000S
White Balance	AUTO /AUTOext /PRESET /MANUAL
OSD	YES
BackLight Compensation	ON/OFF
AUTO Gain Control	ON
Defog	OFF/ON
DNR	OFF /LOW /MIDDLE /HIGH
WDR	OFF/ON
BLC	OFF/ON
HLC	OFF/ON
MOTION	OFF/ON
MIRROR	OFF/ON
PRIVACY	16 region
Day&Night	AUTO/Color/BW/Ext
Available IR Distance	25~30M
Gamma	0.45
Video Output	HD-AHD ( TVI/ CVI / CVBS)
Power Supply	DC12V&AC24V
Current consumption	DC12V:510mA(Max),AC24V:210mA(Max)
Dimension	Ø120×106mm
Weight	860g
Storage Temperature	-30 ~ +60°C
Operating Temperature	-30 ~ +40°C