

CIR-HDR2FGTC

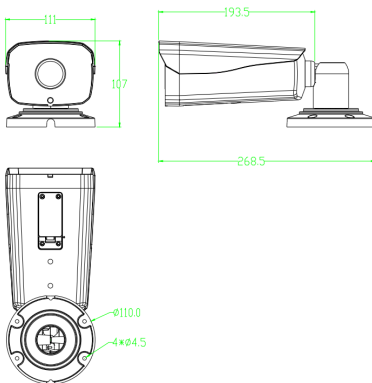
2 MP AHD Motorized Lens Camera



FEATURES

- 1/2.8" 2.1 Mega-pixel Sony CMOS
- support four video signal output(AHD/TVI/CVI/CVBS), default video output is AHD
- Support Dip switch for signal changes
- 12PCs Super High Power IR LEDs, IR Range: 45~50M (Outdoor)
- 2.8-12mm Motorized Varifocal IR Lens,
- Feature: Defog, DWDR, 3DNR, DSS, UTC

DIMENSION



SPECIFICATIONS

CIR- HDR2FGTC	
IP Rating	IP67
Filter	Removable IR Cut Filter
Image Sensor	1/2.8" 2.1Mega-pixel Sony CMOS
Pixels	1920(H)*1080(V)
Horizontal Resolution	1080P
Minimum Lux	0Lux(12PCs Super High Power LEDs ON)
Vertical Frequency	NTSC:60Hz PAL:50Hz
Scanning System	Progressive
S/N Ratio	≥54dB
Electronic Shutter	NTSC:1/60-1/100,000S PAL:1/50-1/100,000S
Lens	2.8-12mm Motorized Varifocal IR Lens
White Balance	ATW
OSD	YES
BackLight Compensation	OFF
AUTO Gain Control	ON
Defog	OFF/ON
DNR	OFF/ON
DWDR	OFF/ON
Day&Night	AUTO/Color/BW/Ext
Available IR Distance	45~50M
Gamma	0.45
Video Output	HD-AHD (TVI / CVI / CVBS)
Power Supply	DC12V@AC24V
Current consumption	DC12V : 910mA (MAX) , AC24C : 410mA (MAX)
Dimension	268.5×111×107mm
Weight	1300g
Storage Temperature	-30 ~ +60°C
Operating Temperature	-30 ~ +40°C

4-6F No.5 Lane 130, Min-Chung Road, Hsin Tien City, Taiwan
 Room B 3rd Building of Kin On Commercial Building, Nos.51 Jervois Street, Sheung Wan, Hong Kong
 3rd~5th Floor, 2A Building, Huihao Industrial Park, He Shui Kou, Gongming, Shenzhen, China

www.irlab.net info@irlab.net