

CIR-HDO6FKJC

2 MP AHD Motorized Lens Camera



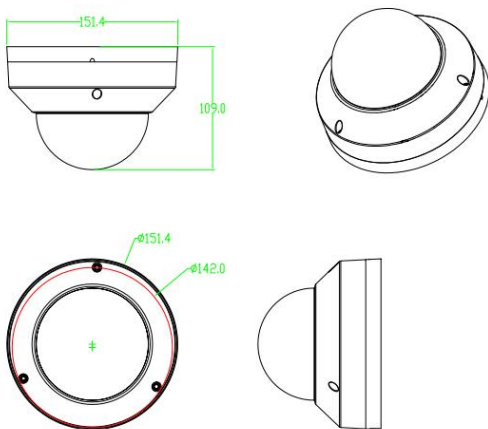
SPECIFICATIONS

CIR-HDO6FKJC	
IP Rating	IP67
Filter	Removable IR Cut Filter
Image Sensor	1/2.8" 2.1Mega-pixel Sony CMOS
Pixels	1920(H)*1080(V)
Horizontal Resolution	1080P
Minimum Lux	0Lux(6PCs Super High Power LEDs ON)
Vertical Frequency	NTSC:60Hz PAL:50Hz
Scanning System	Progressive
S/N Ratio	≥54dB
Lens	2.7-13.5mm Motorized Varifocal IR Lens
White Balance	ATW
OSD	YES
BackLight Compensation	OFF
AUTO Gain Control	ON
Defog	OFF/ON
DNR	OFF/ON
WDR	OFF/ON
Day&Night	AUTO/Color/BW/Ext
Available IR Distance	30~35M
Gamma	0.45
Video Output	HD-AHD (TVI / CVI / CVBS)
Power Supply	DC12V@AC24V
Current consumption	DC12V:600mA(MAX)/ AC24V:320mA(MAX)
Dimension	Ø151.4×109mm
Weight	1300g
Storage Temperature	-30 ~ +60°C
Operating Temperature	IR On: -30 ~ +40°C IR Off: -30 ~ +55°C

FEATURES

- 1/2.8" 2.1 Mega-pixel Sony CMOS
- support four video singnal output(AHD/TVI/CVI/CVBS), default video output is AHD
- Support Dip switch for signal changes
- 6PCs Super High Power IR LEDs,IR Range: 30~35M(outdoor)
- 2.7-13.5mm Motorized Varifocal IR Lens,
- Feature:Defog, WDR,3DNR,UTC, UTP

DIMENSION



IRLAB Limited

Floor 4-6, Building 2, Huihao Industrial Park, Jin'an Road, Guangming District, Shenzhen, China

Tel: +86-755-8821 0202

Fax:+86-755-8821 0303

Http://www.irlab.net

