

CIR-HDO2FLYC

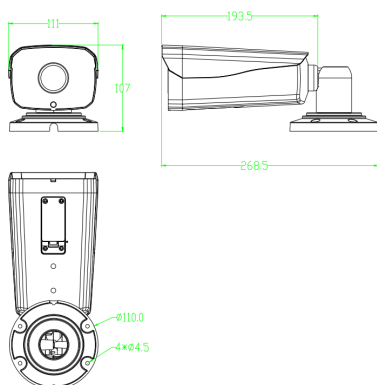
5MP AHD Motorized Lens Camera



FEATURES

- 1/2.8" 5M Progressive Scan Sony CMOS
- support four video signal output(5MP AHD / 5MP TVI / 4MP CVI / 960H CVBS), default video output is AHD
- 12PCs Super High Power IR LEDs,IR Range: 45~50M (Outdoor)
- 2.7-13.5mm Motorized Varifocal Lens
- Support Dip switch for signal changes
- Feature:Defog,BLC,HLC,WDR,DNR,SENS-UP,MOTION,MIRROR,PRIVACY,UTC,DC12V&AC24V

DIMENSION



SPECIFICATIONS

CIR- HDO2FLYC	
IP Rating	IP67
Filter	Removable IR Cut Filter
Image Sensor	1/2.8" 5M Progressive Scan Sony CMOS
Pixels	2688(H)×1944(V)
Horizontal Resolution	5MP
Minimum Lux	0Lux (when 12pcs high power LED on)
Vertical Frequency	NTSC:60Hz PAL:50Hz
Scanning System	Progressive
S/N Ratio	≥56dB
Lens	2.7-13.5mm Motorized Varifocal IR Lens
Electronic Shutter	NTSC:1/30-1/30,000S PAL:1/25-1/30,000S
White Balance	AUTO /AUTOext /PRESET /MANUAL
OSD	YES
BackLight Compensation	ON/OFF
AUTO Gain Control	ON
Defog	OFF/ON
DNR	OFF /LOW /MIDDLE /HIGH
WDR	OFF/ON
BLC	OFF/ON
HLC	OFF/ON
MOTION	OFF/ON
MIRROR	OFF/ON
PRIVACY	16 region
Day&Night	AUTO/Color/BW/Ext
Available IR Distance	45~50M
Gamma	0.45
Video Output	HD-AHD (TVI/ CVI / CVBS)
Power Supply	DC12V&AC24V
Current consumption	DC12V:910mA (MAX), AC24V:410mA(MAX)
Dimension	268.5×111×107mm
Weight	1300g
Storage Temperature	-30 ~ +60°C
Operating Temperature	-30 ~ +40°C

4-6F No.5 Lane 130, Min-Chung Road, Hsin Tien City, Taiwan
 Room B 3rd Building of Kin On Commercial Building, Nos.51 Jervois Street, Sheung Wan, Hong Kong
 3rd~5th Floor, 2A Building, Huihao Industrial Park, He Shui Kou, Gongming, Shenzhen, China

www.irlab.net info@irlab.net