

CIR-HBS4HKGC

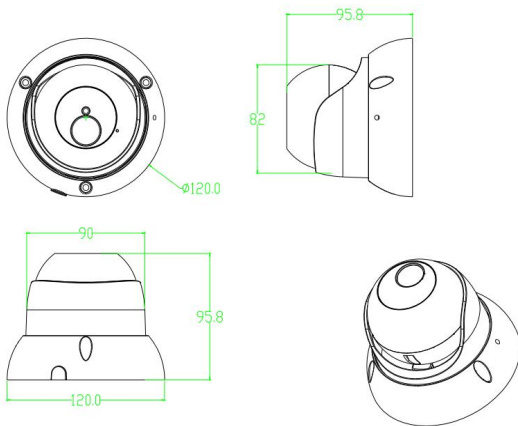
2 MP AHD Camera



FEATURES

- 1/3" 2M Progressive Scan CMOS
- support four video signal output(1080P AHD /1080P TVI / 1080P CVI / CVBS), default video output is AHD
- 3PCs Super High Power IR LEDs, IR Range: 10M(Outdoor)
- 2.8mm IR Lens
- Feature: DWDR, 3DNR/2DNR, UTC, OSD, MIRROR, BLC, AWB

DIMENSION



SPECIFICATIONS

CIR-HBS4HKGC

| | |
|-----------------------|--|
| IP Rating | IP66 |
| Filter | Removable IR Cut Filter |
| Image Sensor | 1/3" 2M Progressive Scan CMOS |
| Pixels | 1920(H)×1080(V) |
| Horizontal Resolution | 2MP |
| Minimum Lux | 0Lux(3PCs Super High Power IR LEDs ON) |
| Vertical Frequency | NTSC:60Hz PAL:50Hz |
| Scanning System | Progressive |
| S/N Ratio | ≥52dB |
| Lens | 2.8mm IR Lens |
| White Balance | ATW/MWB |
| FLIP | OFF/ON |
| MIRROR | OFF/ON |
| OSD | YES |
| 3DNR /2DNR | AUTO/MANUAL |
| DWDR | OFF/ON |
| Day&Night | AUTO/Color/BW/Ext |
| Available IR Distance | 10M |
| Video Output | HD-AHD (TVI / CVI / CVBS) |
| Power Supply | DC12V±10% |
| Current consumption | 320mA (MAX) |
| Dimension | Ø120×95.8mm |
| Weight | 600g |
| Storage Temperature | -30 ~ +60°C |
| Operating Temperature | -30 ~ +40°C |