

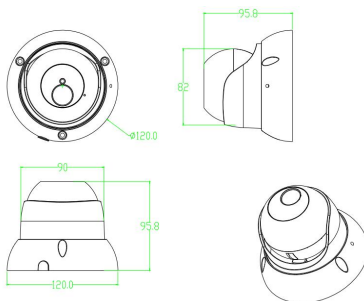
## 5 MP Network Cameras



### FEATURES

- Programme: GC4653+FH8856 V200 ,FLASH :16MB ,DDR :128MB , 5MP@25/fps、 4MP@25/fps high resolution, 3M/1080P real-time video output
- Dual stream support (Stream rate: 36Kb-16M)
- 3.6mm IR Lens, 3Pcs Super High Power IR LED, Available IR Distance:15M
- IP66 compliant
- ONVIF Profile S and API
- True Day/ Night Operation: IR Cut Filter (ICR)
- Storage: NVR 、 VMS
- Support H.265 and H.264
- Power Supply: DC12V±10%, PoE (Optional)

### DIMENSION



SPECIFICATIONS	
<b>CIR-HBA4HMNC</b>	
<b>Camera</b>	
IP Rating	IP66
Filter	Removable IR Cut Filter
Image Sensor	Progressive Scan CMOS
Lens	3.6mm IR Lens
Resolution	2592(H)×1920(V)
Electronic Shutter	NTSC:1/30-1/100,000s PAL:1/25-1/100,000s
Min Illumination	0Lux
Available IR Range	15M
<b>Video/Audio</b>	
Video Compression	H.264 / H.265
Transmission Stream Rate	Dual Stream ( Code Rate:36Kb~16M )
Frame Rate	1~25fps ( PAL ) , 1~30fps ( NTSC )
Audio Compression	/
<b>External Interface</b>	
Network Interface	RJ45*1 10M/100M
Remote Control Interface	/
Audio Interface	/
Alarm Interface	/
<b>Network</b>	
Protocol	TCP/IP, UDP, SMTP, DDNS, DHCP, FTP, RTSP, HTTPS, IPv6
Network Support	ONVIF Profile S , API
Maximum Users	10
Web Language	English, Simplified Chinese, Traditional Chinese
<b>Function</b>	
Image Setting	Contrast, Brightness, Sharpness, Saturation , 3DNR, BLC, DWDR
Storage	NVR、 VMS、
Video Type	Manual, Motion Detection
Alarm Triggers	Motion Detection
Alarm Event	Snapshot, Video, Email Upload,
System/Explorer Support	Chrome, Firefox, Safari, IE11.0 and above
General Function	Flashing, Mirror, OSD information overlay、 Camera angle
<b>General</b>	
Power Supply	DC12V±10% , POE(Optional)
Current Consumption	340mA(Max)
Dimension	Ø120×95.8mm
Weight	660g
Storage Temperature	-30 ~ +60°C
Operating Temperature	-30 ~ +40°C