

# CIR-HBA4HLHC

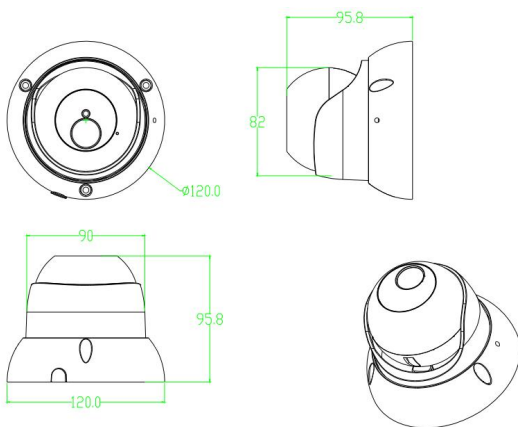
## 5 MP AHD Camera



### FEATURES

- 1/2.8" 5M Progressive Scan Sony CMOS
- Support four video signal output (5MP AHD / 5MP TVI / 4MP CVI / 2MP AHD / 2MP TVI / 2MP CVI / 960H CVBS), default video output is AHD
- 3PCs Super High Power IR LEDs, IR Range: 15M (Outdoor)
- 3.6mm Lens
- Feature: WDR, 3DNR, UTC, OSD

### DIMENSION



### SPECIFICATIONS

CIR-HBA4HLHC	
IP Rating	IP66
Filter	Removable IR Cut Filter
Image Sensor	1/2.8" 5M Progressive Scan Sony CMOS
Pixels	2688(H)×1944(V)
Horizontal Resolution	5MP
Minimum Lux	0Lux(3PCs Super High Power IR LEDs ON)
Vertical Frequency	NTSC:60Hz PAL:50Hz
Scanning System	Progressive
S/N Ratio	≥54dB
Lens	3.6mm Lens
White Balance	ATW
AUTO Gain Control	ON
OSD	YES
3DNR	OFF/ON
WDR	OFF/ON
Day&Night	AUTO/Color/BW/Ext
Available IR Distance	15M
Video Output	HD-AHD( TVI / CVI / CVBS )
Power Supply	DC12V±10%
Current consumption	320mA ( MAX )
Dimension	Ø120×95.8mm
Weight	600g
Storage Temperature	-30 ~ +60°C
Operating Temperature	-30 ~ +40°C