

# CIR-HBA4HKJC

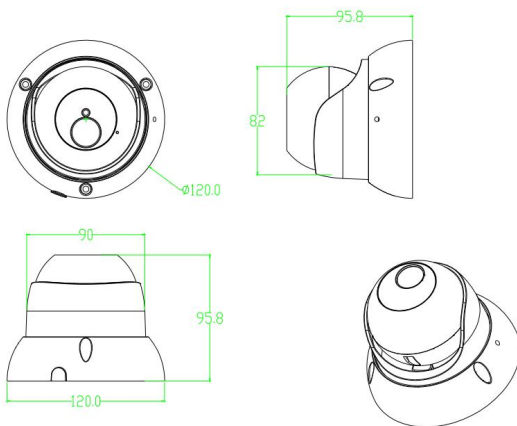
## 2MP AHD Camera



### FEATURES

- 1/2.8" 2.1 Mega-pixel Sony CMOS
- support four video signal output(AHD/TVI/CVI/CVBS), default video output is AHD
- Support Dip switch for signal changes
- 3PCs Super High Power IR LEDs, IR Range: 15M(Outdoor)
- 3.6mm IR Lens
- Feature: Defog, WDR, 3DNR, UTC

### DIMENSION



### SPECIFICATIONS

CIR-HBA4HKJC	
IP Rating	IP66
Filter	Removable IR Cut Filter
Image Sensor	1/2.8" 2.1Mega-pixel Sony CMOS
Pixels	1920(H)*1080(V)
Horizontal Resolution	1080P
Minimum Lux	0Lux(3PCs Super High Power IR LEDs ON)
Vertical Frequency	NTSC:60Hz PAL:50Hz
Scanning System	Progressive
S/N Ratio	≥54dB
Lens	3.6mm IR Lens
White Balance	ATW
OSD	YES
BackLight Compensation	OFF
AUTO Gain Control	ON
Defog	OFF/ON
DNR	OFF/ON
WDR	OFF/ON
Day&Night	AUTO/Color/BW/Ext
Available IR Distance	15M
Gamma	0.45
Video Output	HD-AHD ( TVI / CVI / CVBS)
Power Supply	DC12V±10%
Current consumption	320mA ( MAX )
Dimension	Ø120×95.8mm
Weight	600g
Storage Temperature	-30 ~ +60°C
Operating Temperature	IR On: -30 ~ +40°C IR Off: -30 ~ +55°C

