

CIR-HBA4HKEC

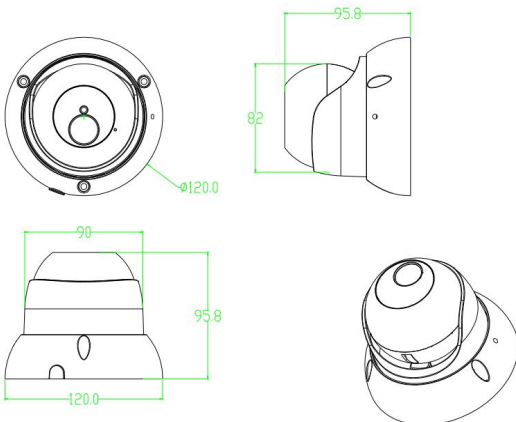
8 MP AHD Camera



FEATURES

- 1/2.5" 8M Progressive Scan CMOS
- support four video singnal output(8MP AHD /8MP TVI / 8MP CVI / CVBS), default video output is AHD
- Support Dip switch for signal changes
- 3PCs Super High Power IR LEDs,IR Range: 15M(outdoor)
- 3.6mm IR Lens
- Feature:DWDR, 2DNR, UTC, OSD, MIRROR, BLC, AWB

DIMENSION



SPECIFICATIONS

CIR- HBA4HKEC	
IP Rating	IP66
Filter	Removable IR Cut Filter
Image Sensor	1/2.5" 8M Progressive Scan CMOS
Pixels	3840(H)×2160(V)
Horizontal Resolution	8MP
Minimum Lux	0Lux(3PCs Super High Power IR LEDs ON)
Vertical Frequency	NTSC:60Hz PAL:50Hz
Scanning System	Progressive
S/N Ratio	≥54dB
Lens	3.6mm IR Lens
White Balance	ATW/MWB
FLIP	OFF/ON
MIRROR	OFF/ON
OSD	YES
2DNR	AUTO/MANUAL
DWDR	OFF/ON
Day&Night	AUTO/Color/BW/Ext
Available IR Distance	15M
Video Output	HD-AHD (TVI / CVI / CVBS)
Power Supply	DC12V±10%
Current consumption	320mA (MAX)
Dimension	Ø120×95.8mm
Weight	600g
Storage Temperature	-30 ~ +60°C
Operating Temperature	-30 ~ +40°C