

CIR-BA94GTC

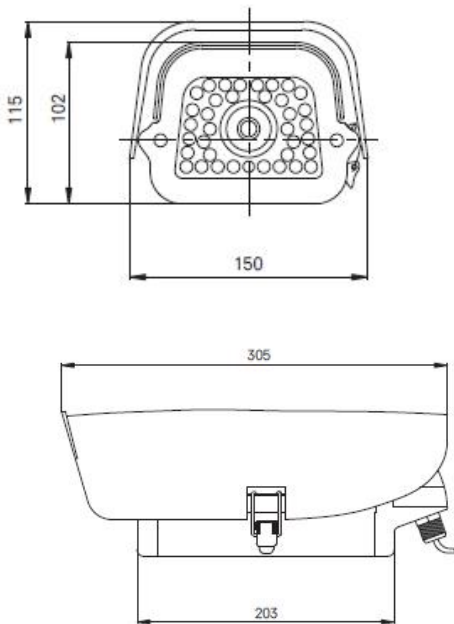
2 MP AHD Camera



FEATURES

- 1/2.8" 2.1 Mega-pixel Sony CMOS
- support four video singnal output(AHD/TVI/CVI/CVBS), default video output is AHD
- Support Dip switch for signal changes
- 54PCs IR LEDs, IR Range: 20M(outdoor)
- 3.6mm IR Lens
- Feature:Defog, DWDR, 3DNR, DSS, UTC

DIMENSION



SPECIFICATIONS

CIR-BA94GTC	
IP Rating	IP55
Filter	Removable IR Cut Filter
Image Sensor	1/2.8" 2.1Mega-pixel Sony CMOS
Pixels	1920(H)*1080(V)
Horizontal Resolution	1080P
Minimum Lux	0Lux(54 Pieces IR LED ON)
Vertical Frequency	NTSC:60Hz PAL:50Hz
Scanning System	Progressive
S/N Ratio	≥ 54dB
Electronic Shutter	NTSC:1/60-1/100,000S PAL:1/50-1/100,000S
Lens	3.6mm IR Lens
White Balance	ATW
OSD	YES
BackLight Compensation	OFF
AUTO Gain Control	ON
Defog	OFF/ON
DNR	OFF/ON
DWDR	OFF/ON
Day&Night	AUTO/Color/BW/Ext
Available IR Distance	20M
Gamma	0.45
Video Output	HD-AHD (TVI / CVI / CVBS)
Power Supply	DC12V ± 10%
Current consumption	450mA (MAX)
Dimension	203 × 150 × 115mm
Weight	400g
Storage Temperature	-30 ~ +60°C
Operating Temperature	-30 ~ +40°C