

# CDD-PY55GT

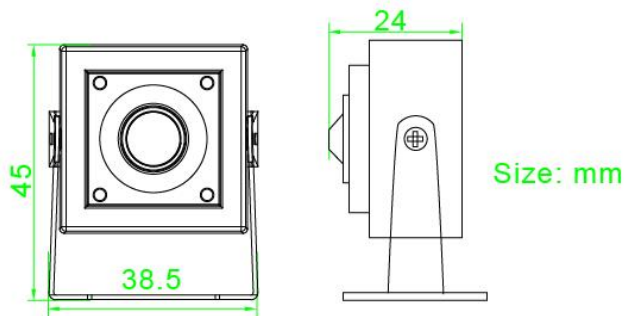
## 2 MP AHD Camera



### FEATURES

- 1/2.8" 2.1 Mega-pixel Sony CMOS
- support four video singnal output(AHD/TVI/CVI/CVBS), default video output is AHD
- Support Dip switch for signal changes
- 3.7mm Lens
- Feature:Defog, DWDR, 3DNR, DSS, UTC

### DIMENSION



### SPECIFICATIONS

CDD-PY55GT	
Image Sensor	1/2.8" 2.1Mega-pixel Sony CMOS
Pixels	1920(H)*1080(V)
Horizontal Resolution	1080P
Minimum Lux	0.00005/F1.3Lux
Vertical Frequency	NTSC:60Hz PAL:50Hz
Scanning System	Progressive
S/N Ratio	≥54dB
Electronic Shutter	NTSC:1/60-1/100,000S PAL:1/50-1/100,000S
Lens	3.7mm Lens
White Balance	ATW
OSD	YES
BackLight Compensation	OFF
AUTO Gain Control	ON
Defog	OFF/ON
DNR	OFF/ON
DWDR	OFF/ON
Day&Night	AUTO/Color/BW/Ext
Gamma	0.45
Video Output	HD-AHD ( TVI / CVI / CVBS)
Power Supply	DC12V±10%
Current consumption	100mA (MAX)
Dimension	45×38.5×24mm
Weight	70g
Storage Temperature	-30 ~ +60°C
Operating Temperature	-30 ~ +40°C